

# JENN-AIR ELECTRIC WARMING DRAWER

# USER GUIDE

## TABLE OF CONTENTS

Safety Instructions .....	1-2
Operating Instructions .....	3-5
Care & Cleaning.....	6
Before You Call for Service .....	6
Warranty .....	7
Guide de l'utilisateur .....	8
Guía del Usuario .....	16



# IMPORTANT SAFETY INSTRUCTIONS

**Installer:** Please leave this manual with this appliance.

**Consumer:** Please read and keep this manual for future reference. Keep sales receipt and/or cancelled check as proof of purchase.

Model Number

-----

Serial Number

-----

Date of Purchase

-----

## If you have questions, call:

Jenn-Air Customer Assistance

1-800-JENNAIR

1-800-688-2080 ( U.S. TTY for hearing or speech impaired)

(Mon.-Fri., 8 am - 8 pm Eastern Time)

Internet: <http://www.jennair.com>

**For service information, see page 7.**

In our continuing effort to improve the quality and performance of our cooking products, it may be necessary to make changes to the appliance without revising this guide.

## SAFETY INSTRUCTIONS

Warning and Important Safety Instructions appearing in this guide are not meant to cover all possible conditions and situations that may occur. Common sense, caution, and care must be exercised when installing, maintaining, or operating the appliance.

Always contact your dealer, distributor, service agent, or manufacturer about problems or conditions you do not understand.

## RECOGNIZE SAFETY SYMBOLS, WORDS, LABELS



**WARNING** – Hazards or unsafe practices which COULD result in severe personal injury or death.



**CAUTION** – Hazards or unsafe practices which COULD result in minor personal injury.

## READ AND FOLLOW ALL INSTRUCTIONS BEFORE USING THIS APPLIANCE.



- For your safety, the information in this manual must be followed to minimize the risk of fire or explosion, electric shock, or to prevent property damage, personal injury, or loss of life.

### • ANTI-TIP BRACE REQUIRED

**All warming drawers can tip and injury could result if not properly installed.**

To prevent accidental tipping of the warming drawer, install it with an anti-tip brace as described in the Installation Instructions.

When using electrical appliances, basic safety precautions should be followed, including the following:

## SAFETY PRECAUTIONS

Use this appliance only for its intended purpose as described in this Owner's Manual.

Be sure your appliance is properly installed and grounded by a qualified technician in accordance with the provided installation instructions.

Do not operate the warming drawer if the decorative front kit has not been installed.

Do not attempt to repair or replace any part of your warming drawer unless it is specifically recommended in this manual. All other servicing should be referred to a qualified technician.

Have the installer show you the location of the circuit breaker or fuse. Mark it for easy reference.

Before performing any service, unplug or disconnect the power supply at the household distribution panel by removing the fuse or switching off the circuit breaker.

Do not leave children alone. Children should not be left alone or unattended in an area where an appliance is in use. They should never be allowed to sit or stand on any part of the appliance.

Do not allow anyone to climb, stand or hang on the drawer. They could damage the warming drawer, or cause severe personal injury.

Be sure the warming drawer is securely installed in a cabinet that is firmly attached to the house structure.

Never leave the drawer open when you are not watching the warming drawer.

Always keep combustible wall covering, curtains or drapes a safe distance from your warming drawer.

Always keep wooden and plastic utensils and canned food a safe distance away from your warming drawer.

Teach children not to play with the controls or any other part of the warming drawer.

Do not place more than 75 pounds into the drawer.

For your safety, never use your appliance for warming or heating the room.

 **WARNING**

Food safety is an important consideration when using a warming oven. The low setting should not be used if holding foods for more than 2-3 hours.

The purpose of the warming drawer is to hold hot cooked foods at serving temperature.

Always start with hot food; cold food cannot be heated or cooked in the warming drawer.

 **CAUTION**

Items of interest to children should not be stored in cabinets above the warming drawer; children climbing on the drawer to reach items could be seriously injured.

Use only dry pot holders. Moist or damp pot holders on hot surfaces may result in burns from steam. Do not let pot holders touch hot heating elements. Do not use a towel or other bulky cloth.

Do not let cooking grease or other flammable materials accumulate in or near the warming drawer.

Do not use water on grease fires. Never pick up a flaming pan. Turn the controls off.

Flame in the warming drawer can be smothered by closing the drawer or using a multi-purpose dry chemical or foam-type fire extinguisher.

Do not touch the heating element or the interior surface of the warming drawer. These surfaces may be hot enough to burn.

**REMEMBER:** The inside surface of the warming drawer may be hot when the drawer is opened.

Do not store or use combustible materials, gasoline or other flammable vapors and liquids in the vicinity of this or any other appliance.

Never leave jars or cans of fat drippings in or near your warming drawer.

Use care when opening the drawer. Open the drawer a crack and let hot air or steam escape before removing or replacing food. Hot air or steam which escapes can cause burns to hands, face and/or eyes.

Do not heat unopened food containers. Pressure could build up and the container could burst, causing an injury.

Do not block vents.

Do not use the warming drawer to dry newspapers. If overheated, they can catch on fire.

Do not use the warming drawer to warm towels.

Do not use the warming drawer for a storage area. Items stored in the warming drawer can ignite.

Do not leave paper products, cooking utensils or food in the warming drawer when not in use.

Clean only parts listed in the Care and Cleaning section of the warming drawer guide.

Do not use aluminum foil to line the drawer. Foil is an excellent heat insulator and will trap heat beneath it. This will upset the performance of the drawer and it could damage the interior finish.

The warming drawer will keep hot, cooked foods at serving temperature. Always start with hot food.

**READ AND FOLLOW  
THIS SAFETY INFORMATION CAREFULLY**

**SAVE THESE INSTRUCTIONS FOR FUTURE REFERENCE**

# OPERATING INSTRUCTIONS

## USING THE WARMING DRAWER

Do not use to heat cold food other than proofing yeast dough, crisping crackers, chips or dry cereal.

## CONTROL KNOBS

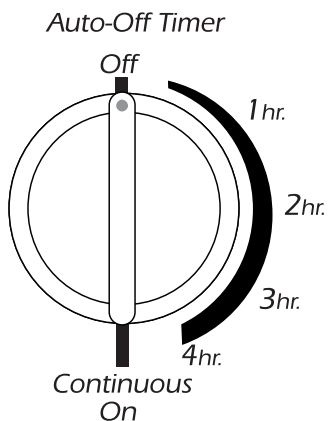
The warming drawer controls are hidden with the drawer shut. Open the drawer.

The controls are on the right side of the front frame.

## AUTO-OFF TIMER

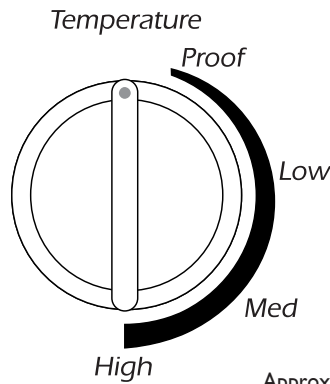
To use the warming drawer, rotate the Auto-Off Timer knob to the selected time or Continuous On position. If a time is selected the warming drawer will turn off after the set interval.

The Continuous On position keeps the warming drawer on until the timer is rotated to the OFF position.



## TEMPERATURE

Turn the control knob to the desired setting.



Approximate Temperature

PROOF .....	98° F
LOW .....	140° F
MED .....	170° F
HIGH .....	210° F

**NOTE:** Use the PROOF temperature setting ONLY for proofing yeast dough.

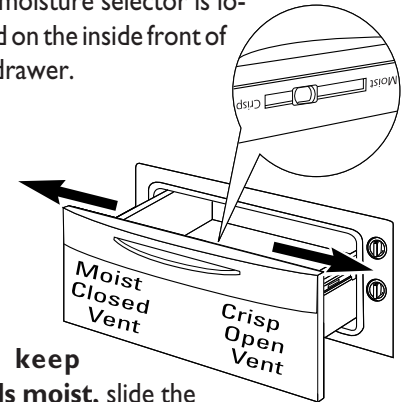
Slide the moisture selector control to the open or closed setting. (See the Moisture Selector section.)

## ON SIGNAL LIGHT

The ON signal light is located above the timer and glows when the timer is set to a time or the Continuous On position. It stays on until the set time interval has elapsed or the timer is manually rotated to the OFF position.

## MOISTURE SELECTOR

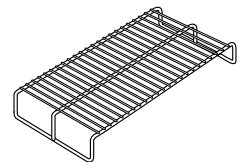
The moisture selector is located on the inside front of the drawer.



### To keep

**foods moist,** slide the moisture selector control away from the control knobs. This closes the vent and seals the moisture inside the drawer. With the vent closed hot foods stay moist and soft. In this setting, condensation may occur around the inside edge of the drawer.

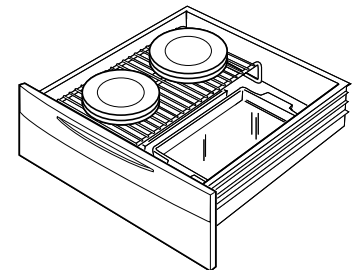
**To keep foods crisp,** slide the moisture selector control to the right towards the control knobs. This opens the vents and allows the moisture to escape. With the vents open, it is normal for moisture to collect on surfaces above the warming drawer.



## RACK

Using the rack allows for double stacking of items.

- Rack will fit from front to back or from side to side.
- Preheat with the rack in place.



**CAUTION**

- Dishes may be hot. Use pot holders or mitts when removing hot dishes.
- Plastic containers or plastic wrap will melt if in direct contact with the drawer.
- Remove serving spoons, etc., before placing containers in warming drawer.

**NOTES:**

**WHEN USING THE WARMING DRAWER:**

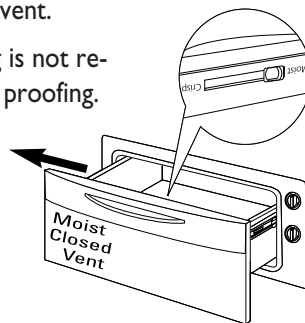
- **DO NOT line the warming drawer with aluminum foil.**
- Allow time for the drawer to be preheated:
  - LOW ..... 8 minutes
  - MED ..... 15 minutes
  - HIGH..... 20 minutes
- *It is not necessary to preheat the drawer for proofing.*
- Repeated opening of the drawer allows the hot air to escape and the food to cool. Allow extra time for the temperature inside the drawer to stabilize after adding items.
- Food should be kept hot in its cooking container or transferred to a heat-safe serving dish.
- Aluminum foil may be used to cover food to prevent it from drying out.

**TO WARM SERVING BOWLS AND PLATES**

- To warm serving bowls and plates set the control on LOW.
- Use only heat-safe dishes.
- Place the empty dishes on the rack to raise them off the bottom of the drawer. If you want hotter dishes or want to heat fine china, please check with the manufacturer of the dishes for their maximum heat tolerance.
- Preheat empty serving dishes while preheating the drawer.
- When holding hot, cooked foods and warming empty serving dishes at the same time, place the serving dishes on the high rack position and the food on the bottom of the drawer.

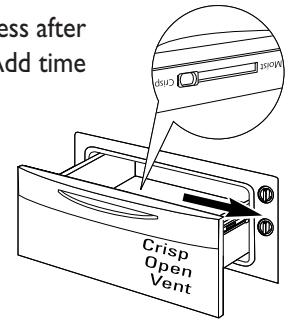
**TO PROOF YEAST BREAD DOUGH**

- Yeast dough can be proofed in the warming drawer.
- Place the dish on the warming drawer pan bottom.
- **Always turn the control knob to LOW, then immediately back to PROOF.**
- Close the vent.
- Preheating is not required for proofing.



**TO CRISP STALE ITEMS**

- Place food in low sided dishes or pans.
- Preheat on LOW setting and open the vent.
- Check crispness after 45 minutes. Add time as needed.



**TEMPERATURE SELECTION FOR CRISP FOODS**

To keep several different foods hot, set the temperature for the food needing the highest setting.

Place the items needing the highest setting on the bottom of the drawer and items needing less heat on the rack.

**TEMPERATURE SELECTION CHART FOR CRISP FOODS**

Food Type	Control Setting	Moisture Selector
Bacon	HIGH	CRISP
Bread, hard rolls	MED	CRISP
Fried Foods	HIGH	CRISP
Pies, two crusts	MED	CRISP
Pizza	HIGH	CRISP
Potatoes, baked	HIGH	CRISP
Tortilla Chips	LOW	CRISP

**TIPS:**

- Leave food uncovered.
- Do not use plastic containers or plastic wrap.
- Preheat prior to use according to recommended times.

# OPERATING INSTRUCTIONS, CONT.

## TEMPERATURE SELECTION FOR MOIST FOODS

To keep several different foods hot, set the temperature for the food needing the highest setting.

Place the items needing the highest setting on the bottom of the drawer and items needing less heat on the rack.

## TEMPERATURE SELECTION CHART FOR MOIST FOODS

Food Type	Control Setting	Moisture Selector
Beef, medium and well done*	HIGH	MOIST
Bread, soft rolls	MED	MOIST
Casseroles	MED	MOIST
Cooked cereal	MED	MOIST
Eggs	MED	MOIST
Fish, seafood	MED	MOIST
Fruit	MED	MOIST
Gravy, cream sauces	MED	MOIST
Ham	MED	MOIST
Lamb	MED	MOIST
Pancakes, waffles	MED	MOIST
Pies, one crust	MED	MOIST
Pork	HIGH	MOIST
Potatoes, mashed	MED	MOIST
Poultry	HIGH	MOIST
Vegetables	MED	MOIST

\*USDA/FSIS recommends an internal temperature of 145° F as the minimum doneness for beef. Use a portable meat thermometer to check internal temperatures.

## TIPS:

- Cover food with lid or aluminum foil.
- Do not put water in the warming pan.
- Do not use plastic containers or plastic wrap.
- Preheat prior to use according to recommended times.



## WARNING

Food safety is an important consideration when using a warming oven. The low setting should not be used if holding foods for more than 2-3 hours.

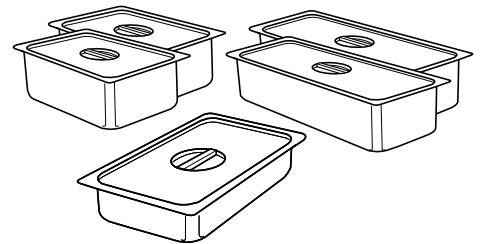
## ACCESSORIES

### DRAWER PAN KIT

An Accessory Pan Kit, DRAWERPANS, is available for the warming drawer. See your Jenn-Air dealer or call 1-800-JENNAIR.

DRAWERPANS includes five commercial pans with lids (4" deep).

- One large pan (14 quarts)
- Two medium pans (6 quarts each)
- Two small pans (3 quarts each)



### DRAWER FRONT KITS

The following drawer front kits are available for the Warming Drawer. See your Jenn-Air dealer or call 1-800-JENNAIR.

- Black Curved Glass – JWD7130CDB
- White Curved Glass – JWD7130CDW
- Stainless Steel Curved – JWD7130CDS
- Stainless Steel ProStyle – JWD7130CDP
- Custom Panel Kit – JWD7130CDK

**IMPORTANT:** Do not operate the Warming Drawer if the front kit has not been installed.

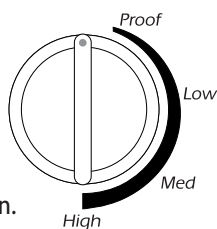
# CARE & CLEANING

## CAUTION

- Be sure appliance is off and all parts are cool before handling or cleaning. This is to avoid damage and possible burns.

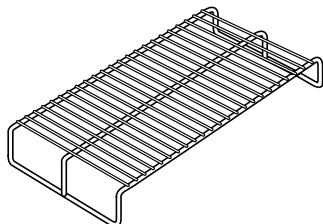
### CONTROL KNOBS

- The control knobs may be removed for easier cleaning.
- Before removing the knobs for cleaning, make sure they are in the vertical position.
- Wash the knobs in soap and water but do not soak.
- Dry and replace the knobs.



### RACK

- Clean the rack with soap and water.
- After cleaning, rinse the rack with clean water and dry with a clean cloth.



### STAINLESS STEEL

- Do not use a steel wool pad; it will scratch the surface.
- Clean with hot soapy water. Rinse and dry.
- If food soil remains, try a general kitchen cleaner, such as Fantastik®, Simple Green® or Formula 409®\*.
- For hard to clean soil use a standard stainless steel cleaner such as Bon-Ami® or Cameo®. Soils can also be soaked

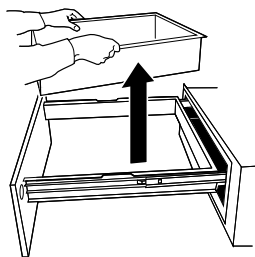
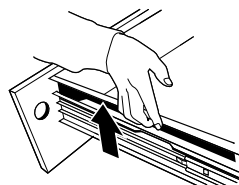
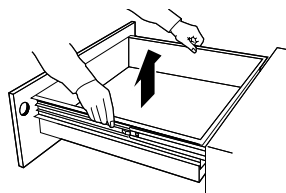
several hours with wet towels. Apply cleaner with a damp sponge, rinse thoroughly and dry. Always scrub lightly in the direction of the grain. After cleaning, use a stainless steel polish such as Stainless Steel Magic®\*\*.

### WARMING DRAWER PAN

Most cleaning can be done to the pan with the pan in place in the drawer. However, the pan may be removed if further cleaning is needed.

#### TO REMOVE THE PAN:

- Open the drawer fully.
- Using the finger grasp holds on the side of the drawer, lift the pan up and out.
- Use soap and warm water to thoroughly clean. Rinse and dry.



# BEFORE YOU CALL FOR SERVICE

#### Warming drawer will not work.

- A fuse in your home may be blown or the circuit breaker tripped. Replace the fuse or reset the circuit breaker.
- Check to see if the Warming Drawer is plugged in.
- Controls improperly set. See the Using the warming drawer section, pgs. 3-5.

#### Drawer does not slide smoothly or drags.

- Ball bearings may be out of alignment. Fully extend the drawer and push it all the way in. See the Care and Cleaning section.
- Drawer over-loaded or the load is unbalanced. Reduce weight to less than 50 pounds. Redistribute drawer contents.

#### Excessive condensation.

- There may be liquid in the warming drawer pan. Remove liquid.
- Cover food with lid or aluminum foil.
- Temperature setting is too high. Reduce the temperature setting.
- Incorrect Moisture Selector setting. Set the Moisture Selector to the open vent setting to allow venting.

#### No heat in the PROOF setting.

- Room temperature may prevent the thermostat from tripping on. Turn the knob to LOW then back to PROOF.

#### Food dries out

- Moisture is escaping. Cover food with lid or aluminum foil.

\* Brand names for cleaning products are registered trademarks of the respective manufacturers.

\*\* To order direct, call 1-800-JENNAIR.

# JENN-AIR WARMING DRAWER WARRANTY

## Full One Year Warranty - Parts and Labor

For **one (1) year** from the original retail purchase date, any part which fails in normal home use will be repaired or replaced free of charge.

## Limited Warranties - Parts Only

**Second Year** - After the first year from the original purchase date, parts which fail in normal home use will be repaired or replaced free of charge for the part itself, with the owner paying all other costs, including labor, mileage and transportation.

## Canadian Residents

The above warranties only cover an appliance installed in Canada that has been certified or listed by appropriate test agencies for compliance to a National Standard of Canada unless the appliance was brought into Canada due to transfer of residence from the United States to Canada.

## Limited Warranty Outside the United States and Canada - Parts Only

For two (2) years from the date of original retail purchase, any part which fails in normal home use will be repaired or replaced free of charge for the part itself, with the owner paying all other costs, including labor, mileage and transportation.

*The specific warranties expressed above are the **ONLY** warranties provided by the manufacturer. These warranties give you specific legal rights, and you may also have other rights which vary from state to state.*

## WHAT IS NOT COVERED BY THESE WARRANTIES:

1. Conditions and damages resulting from any of the following:
  - a. Improper installation, delivery, or maintenance.
  - b. Any repair, modification, alteration, or adjustment not authorized by the manufacturer or an authorized servicer.
  - c. Misuse, abuse, accidents, or unreasonable use.
  - d. Incorrect electric current, voltage, or supply.
  - e. Improper setting of any control.
2. Warranties are void if the original serial numbers have been removed, altered, or cannot be readily determined.
3. Light bulbs.
4. Products purchased for commercial or industrial use.
5. The cost of service or service call to:
  - a. Correct installation errors.
  - b. Instruct the user on the proper use of the product.
  - c. Transport the appliance to the servicer.
6. Consequential or incidental damages sustained by any person as a result of any breach of these warranties. Some states do not allow the exclusion or limitation of consequential or incidental damages, so the above exclusion may not apply.

## IF YOU NEED SERVICE

- Call the dealer from whom your appliance was purchased or call Maytag Appliances Sales Company, Jenn-Air Customer Assistance at 1-800-JENNAIR (1-800-536-6247) to locate an authorized servicer.
- Be sure to retain proof of purchase to verify warranty status. Refer to WARRANTY for further information on owner's responsibilities for warranty service.
- If the dealer or service company cannot resolve the problem, write to Maytag Appliances Sales Company, Attn: CAIR® Center, P.O. Box 2370, Cleveland, TN 37320-2370, or call **1-800-JENNAIR (1-800-536-6247)**.

U.S. customers using TTY for deaf, hearing impaired or speech impaired, call 1-800-688-2080.

**NOTE:** When writing or calling about a service problem, please include the following information:

- a. Your name, address and telephone number;
  - b. Model number and serial number;
  - c. Name and address of your dealer or servicer;
  - d. A clear description of the problem you are having;
  - e. Proof of purchase (sales receipt).
- User's guides, service manuals and parts information are available from Maytag Appliances Sales Company, Jenn-Air Customer Assistance.

# TIROIR CHAUFFE-PLATS ÉLECTRIQUE JENN-AIR

# GUIDE DE L'UTILISATEUR

## *T*ABLE DES MATIÈRES

Instructions de sécurité importantes .....	9-10
Instructions d'utilisation .....	11-13
Entretien et nettoyage .....	14
Avant de contacter un réparateur .....	14
Garantie .....	15
Guía del Usuario .....	16

# INSTRUCTIONS DE SÉCURITÉ IMPORTANTES

**Installateur:** Remettre ce manuel au propriétaire.

**Consommateur:** Lire le manuel; le conserver pour consultation ultérieure. Conserver la facture d'achat ou le chèque encaissé comme preuve de l'achat.

Numéro de modèle

-----

Numéro de série

-----

Date d'achat

-----

**Pour toute question, contacter:**

Service-client Jenn-Air  
1-800-JENNAIR  
(Lundi - vendredi, 8 h - 20 h heure  
de l'Est)

Site Internet: <http://www.jennair.com>

**Pour le service après-vente, voir  
page 15.**

Dans le cadre de nos pratiques d'amélioration constante de la qualité et de la performance de nos produits de cuisson, des modifications de l'appareil qui ne sont pas mentionnées dans ce guide ont pu être introduites.

## INSTRUCTIONS DE SÉCURITÉ

Les instructions de sécurité importantes et les paragraphes «avertissement» de ce guide ne sont pas destinés à couvrir toutes les conditions et situations qui pourraient se présenter. Il faut faire preuve de bon sens, de prudence et de soin lors de l'installation, de l'entretien ou du fonctionnement de l'appareil.

Toujours prendre contact avec le détaillant, le distributeur, l'agent de service après-vente ou le fabricant dans le cas de problèmes ou de conditions qui ne seraient pas comprises.

### RECONNAÎTRE LES ÉTIQUETTES, PARAGRAPHERS ET SYMBOLES SUR LA SÉCURITÉ



#### **AVERTISSEMENT**

**AVERTISSEMENT** – Dangers ou pratiques dangereuses qui POURRAIENT résulter en de graves blessures ou même la mort.



#### **ATTENTION**

**ATTENTION** – Dangers ou pratiques dangereuses qui POURRAIENT résulter en des blessures mineures.

### LIRE TOUTES LES INSTRUCTIONS AVANT D'UTILISER CET APPAREIL.

Lors de l'utilisation d'appareils électriques, des mesures de sécurité de base doivent être suivies, y compris les suivantes :

## MESURES DE SÉCURITÉ

N'utiliser cet appareil que pour l'emploi prévu comme il est décrit dans le manuel du propriétaire.

S'assurer que l'appareil est correctement installé et mis à la terre par un technicien, conformément aux instructions d'installation fournies.

Ne pas faire fonctionner le tiroir chauffe-plats si l'ensemble de panneau de montage n'a pas été installé.

Ne pas essayer de réparer ou de remplacer une pièce du tiroir chauffe-plats à moins de recommandation spécifique dans ce manuel. Toute autre réparation doit être confiée à un technicien qualifié.

Demander à l'installateur d'indiquer l'emplacement du fusible ou du disjoncteur. Marquer cet emplacement pour le retrouver facilement.

Avant d'effectuer toute réparation, débrancher le tiroir chauffe-plats ou interrompre l'alimentation électrique au panneau de distribution général en enlevant le fusible ou en déclenchant le disjoncteur.

Ne pas laisser d'enfants seuls - les enfants ne devraient pas être laissés seuls ou sans surveillance dans un endroit où un appareil ménager est utilisé. Les enfants ne devraient pas être autorisés à s'asseoir ou à se tenir debout sur une partie de l'appareil.

**suite**



#### **AVERTISSEMENT**

- Pour sa sécurité, l'information contenue dans ce manuel doit être suivie pour minimiser le risque de feu ou d'explosion, de choc électrique ou pour empêcher dommages matériels, blessures, ou même la mort.
- **NÉCESSITÉ D'INSTALLATION D'UNE ENTRETOISE ANTI-BASCULEMENT**

**Tous les tiroirs chauffe-plats peuvent basculer, avec risque d'entraîner des blessures s'ils ne sont pas correctement installés.**

Pour empêcher le basculement accidentel du tiroir chauffe-plats, le fixer au mur à l'aide d'une entretoise anti-basculement, comme il est décrit dans les instructions d'installation.

Ne permettre à quiconque de grimper, de se tenir sur le tiroir chauffe-plats ou de s'y suspendre. Il y aurait risque d'endommagement du tiroir chauffe-plats ou le risque de blessure grave.

S'assurer que le tiroir chauffe-plats est bien installé dans sa caisse, elle-même bien fixée à la structure de la maison.

Ne jamais laisser le tiroir ouvert si l'on n'est pas présent.

Garder toujours le tiroir chauffe-plats à l'écart des revêtements muraux, des tentures ou rideaux combustibles.

Garder toujours les ustensiles en plastique et en bois ainsi que la nourriture en boîte à une distance sûre du tiroir chauffe-plats.

Enseigner aux enfants à ne pas jouer avec les commandes ou avec n'importe quelle autre partie du tiroir chauffe-plats.

Ne pas placer plus de 34 kg (75 livres) dans le tiroir chauffe-plats.

Pour sa sécurité, ne jamais utiliser l'appareil pour chauffer ou réchauffer la pièce.



## AVERTISSEMENT

La sécurité alimentaire est une considération importante lors de l'utilisation d'un four de réchauffage. Le réglage bas ne devrait pas être utilisé pour maintenir des aliments au chaud pour plus de 2 à 3 heures.

Le but du tiroir chauffe-plats est de maintenir à la température où ils seront servis, les plats cuits et chauds.

Toujours commencer avec des plats très chauds; les plats froids ne peuvent être réchauffés ni cuits dans le tiroir chauffe-plats.



## ATTENTION

Ne jamais ranger dans les armoires au-dessus d'un tiroir chauffe-plats des articles pouvant intéresser les enfants; ceux-ci, s'ils grimpaient sur le tiroir pour atteindre ces articles, pourraient se blesser gravement.

N'utiliser que des maniques sèches - des maniques humides sur des surfaces chaudes pourraient entraîner des brûlures par suite de dégagement de vapeur. Ne pas laisser les maniques toucher les éléments chauffants lorsqu'ils sont chauds. Ne pas utiliser de serviette de toilette ou autre linge volumineux.

Ne pas laisser la graisse de cuisson ou autre matériau inflammable s'accumuler dans le tiroir chauffe-plats ou tout près de celui-ci.

Ne pas utiliser d'eau sur les feux de graisse. Ne jamais saisir un ustensile enflammé. Éteindre les commandes.

Les flammes dans un tiroir chauffe-plats peuvent être étouffées en fermant le tiroir ou en utilisant un extincteur à mousse ou à poudre polyvalente.

Ne pas toucher l'élément chauffant ou la surface intérieure du tiroir chauffe-plats. Ces surfaces peuvent devenir très chaudes et brûler.

**NE PAS OUBLIER:** La surface intérieure du tiroir chauffe-plats peut être chaude, même si le tiroir est ouvert.

Ne pas entreposer ou utiliser de matériaux combustibles, essence ou autres liquides et vapeurs inflammables à proximité de cet appareil ou de tout autre appareil ménager.

Ne jamais laisser de bocaux ou boîtes contenant de la graisse dans le tiroir chauffe-plats, ou à sa proximité.

User de prudence pour ouvrir le tiroir chauffe-plats. Ne l'ouvrir qu'un peu pour laisser la vapeur ou l'air chaud s'échapper avant de retirer ou d'y placer de la nourriture. La vapeur ou l'air chaud qui s'échappe, peut brûler les mains, le visage ou les yeux.

Ne pas réchauffer des contenants de nourriture non ouverts. La pression pourrait s'accumuler et le contenant pourrait exploser, en blessant.

Ne pas obstruer les événements.

Ne pas utiliser le tiroir chauffe-plats pour sécher des journaux. S'ils surchauffaient, ils pourraient prendre feu.

Ne pas utiliser le tiroir chauffe-plats pour réchauffer des serviettes de toilette.

Ne pas utiliser le tiroir chauffe-plats comme espace de rangement. Les articles rangés ainsi pourraient prendre feu.

Ne pas laisser d'articles en papier, d'ustensiles de cuisine ou de nourriture dans le tiroir chauffe-plats s'il n'est pas utilisé.

Ne nettoyer que les pièces énumérées dans la section Entretien et nettoyage du tiroir chauffe-plats.

Ne pas utiliser de papier aluminium pour tapisser le tiroir chauffe-plats. L'aluminium est un excellent isolant thermique et emmagasine la chaleur sous lui. Ceci modifie la performance du tiroir chauffe-plats et peut endommager le fini de l'intérieur.

# LIRE ET SUIVRE ATTENTIVEMENT CES INFORMATIONS DE SÉCURITÉ

## CONSERVER CES INSTRUCTIONS

# INSTRUCTIONS D'UTILISATION

## UTILISATION DU TIROIR CHAUFFE-PLATS

Le tiroir chauffe-plats va maintenir à la température où ils seront servis, des plats cuits et chauds. Toujours commencer avec des plats très chauds.

Ne pas utiliser le tiroir chauffe-plats pour réchauffer des aliments froids sauf s'il s'agit de fermentation de pâte ou de faire croustiller des craquelins, des frites ou des céréales sèches.

## BOUTONS DE COMMANDE

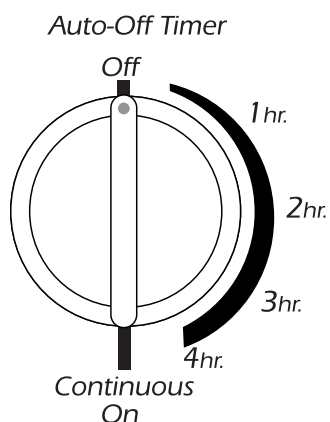
Les commandes du tiroir chauffe-plats sont dissimulées lorsque le tiroir est fermé. Ouvrir le tiroir.

Les commandes se trouvent du côté droit du cadre avant.

## AUTO-OFF TIMER (MINUTERIE AUTOM./ARRÊT)

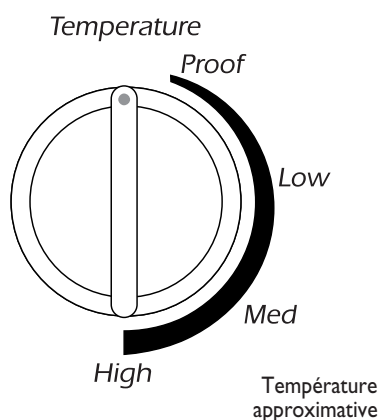
Pour utiliser le tiroir chauffe-plats, tourner la AUTO-OFF TIMER (MINUTERIE AUTOM./ARRÊT) à la durée choisie ou à la position CONTINUOUS ON (MARCHE CONTINUE). Si une durée est choisie, le tiroir chauffe-plats s'arrêtera une fois la durée écoulée.

La position CONTINUOUS ON (MARCHE CONTINUE) garde le tiroir chauffe-plats en marche jusqu'à ce que la minuterie soit tournée à la position OFF (ARRÊT).



## TEMPERATURE (TEMPÉRATURE)

Tourner le bouton de commande du tiroir chauffe-plats à la température au réglage désiré.



PROOF (Fermentation) .....	37° C (98° F)
LOW (Bas) .....	60° C (140° F)
MED (Moyen) .....	77° C (170° F)
HIGH (Élevé) .....	99° C (210° F)

**REMARQUE:** N'utiliser le réglage PROOF que pour la fermentation de la pâte.

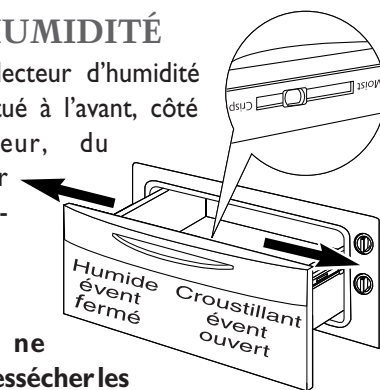
Coulisser le sélecteur d'humidité au réglage ouvert ou fermé (voir la section sur le sélecteur d'humidité).

## TÉMOIN DE FONCTIONNEMENT

Le témoin de fonctionnement ON (MARCHE) est situé au-dessus de la minuterie et s'allume lorsque la minuterie est réglée à une durée déterminée ou à la position CONTINUOUS ON (MARCHE CONTINUE). Il reste allumé jusqu'à ce que la durée se soit écoulée ou que la minuterie soit manuellement tournée à la position OFF (ARRÊT).

## SÉLECTEUR D'HUMIDITÉ

Le sélecteur d'humidité est situé à l'avant, côté intérieur, du tiroir chauffe-plats.



**Pour ne pas dessécher les aliments,** coulisser le sélecteur d'humidité en l'éloignant des boutons de commande. Ceci ferme l'évent et retient l'humidité à l'intérieur du tiroir chauffe-plats.

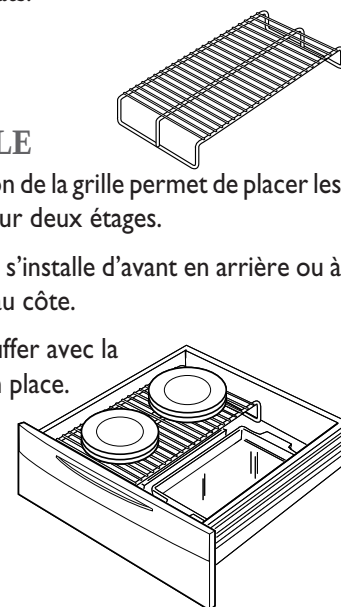
Lorsque l'évent est fermé, les aliments chauds conservent leur humidité et restent moelleux. À ce réglage, de la condensation peut se produire sur le bord intérieur du tiroir.

**Pour que les aliments restent croustillants,** coulisser le sélecteur d'humidité à droite vers les boutons de commande. Ceci ouvre les événements et permet à l'humidité de s'échapper. Les événements étant ouverts, il est normal que l'humidité se recueille sur les surfaces au-dessus du tiroir chauffe-plats.

## GRILLE

L'utilisation de la grille permet de placer les aliments sur deux étages.

- La grille s'installe d'avant en arrière ou à latéral au côté.
- Préchauffer avec la grille en place.





## ATTENTION

- Les plats peuvent être très chauds. Utiliser des mitaines ou maniques pour retirer les plats chauds.
- Les contenants en plastique ou la pellicule en plastique peuvent fondre s'ils sont en contact direct avec le tiroir chauffe-plats.
- Retirer les cuillères de service, etc. avant de placer les contenants dans le tiroir chauffe-plats.

## REMARQUES:

### LORS DE L'UTILISATION DU TIROIR CHAUFFE-PLATS:

- **NE PAS le tapisser avec du papier aluminium.**
- Laisser le temps au tiroir chauffe-plats de préchauffer :
  - LOW (Bas) ..... 8 minutes
  - MED (Moyen) ..... 15 minutes
  - HIGH (Élevé) ..... 20 minutes
- *Il n'est pas nécessaire de préchauffer le tiroir chauffe-plats pour la fermentation de la pâte.*
- Une ouverture répétée du tiroir chauffe-plats laisse l'air chaud s'échapper, ce qui refroidit la nourriture. Laisser un temps supplémentaire pour que la température à l'intérieur du tiroir chauffe-plats se stabilise après l'addition d'articles.
- La nourriture devrait être conservée au chaud dans le contenant ayant servi à la cuisson ou transférée dans un plat de service résistant à la chaleur.
- Le papier aluminium peut servir à recouvrir l'aliment pour empêcher qu'il ne dessèche.

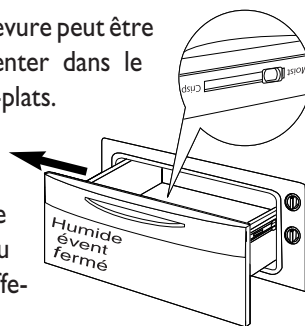
## POUR RÉCHAUFFER LES ASSIETTES ET PLATS DE SERVICE

- Pour réchauffer les assiettes et plats de service, mettre la commande sur LOW.
- N'utiliser que des plats résistants à la chaleur.
- Placer les plats vides sur la grille pour les relever du fond du tiroir chauffe-plats. Si l'on désire que les plats soient plus chauds ou si l'on désire réchauffer de la porcelaine fine, il est préférable de vérifier avec le fabricant des plats pour s'assurer de leur tolérance maximale à la chaleur.
- Préchauffer les plats de service vides tout en préchauffant le tiroir chauffe-plats.
- Lors du maintien au chaud de plats cuits et du réchauffage de plats de service vides en même temps, placer les plats de service sur la grille (en hauteur) et la nourriture à la partie inférieure du tiroir chauffe-plats.

## FERMENTATION DE LA PÂTE À PAIN

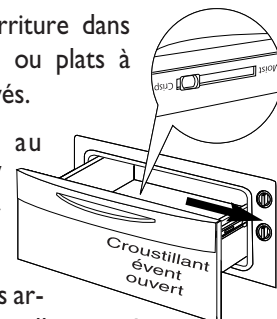
La pâte avec levure peut être mise à fermenter dans le tiroir chauffe-plats.

- Poser le plat à la partie inférieure du tiroir chauffe-plats.
- Tourner toujours le bouton de commande sur LOW, puis immédiatement en arrière sur PROOF.
- Fermer l'évent.
- Le préchauffage n'est pas nécessaire pour la fermentation.



## POUR FAIRE CROUSTILLER DES ARTICLES RASSIS

- Placer la nourriture dans des ustensiles ou plats à côtés peu élevés.
- Préchauffer au réglage LOW et ouvrir l'évent.
- Vérifier que les articles sont croustillants après 45 minutes. Prolonger la durée au besoin.



## SÉLECTION DE LA TEMPÉRATURE POUR FAIRE CROUSTILLER LES ALIMENTS

Pour garder au chaud plusieurs aliments, régler la température selon l'aliment nécessitant le réglage le plus élevé.

Placer les articles nécessitant le réglage le plus élevé à la partie inférieure du tiroir chauffe-plats, et ceux nécessitant moins de chaleur, sur la grille.

## TABLEAU DE SÉLECTION DE LA TEMPÉRATURE POUR OBTENIR DES METS CROUSTILLANTS

Type d'aliment	Réglage	Sélecteur d'humidité
Bacon	HIGH	CRISP
Pain, petits pain durs	MED	CRISP
Aliments frits	HIGH	CRISP
Tartes, 2 abaisses	MED	CRISP
Pizza	HIGH	CRISP
Pommes de terre, cuites au four	HIGH	CRISP
Croustilles au maïs	LOW	CRISP

## CONSEILS:

- Ne pas recouvrir les aliments.
- Ne pas utiliser de pellicule ou contenants en plastique.
- Préchauffer avant utilisation, selon les durées recommandées.

# INSTRUCTIONS D'UTILISATION, SUITE

## SÉLECTION DE LA TEMPÉRATURE POUR MAINTENIR LES ALIMENTS MOELLEUX

Pour garder au chaud plusieurs aliments, régler la température selon l'aliment nécessitant le réglage le plus élevé.

Placer les articles nécessitant le réglage le plus élevé à la partie inférieure du tiroir chauffe-plats, et ceux nécessitant moins de chaleur, sur la grille.

## TABLEAU DE SÉLECTION DE LA TEMPÉRATURE POUR OBTENIR DES ALIMENTS MOELLEUX

Type d'aliment	Réglage	Sélecteur d'humidité
Bœuf, à point et bien cuit*	HIGH	MOIST
Pain, petits pains mollets	MED	MOIST
Plats mijotés	MED	MOIST
Céréale cuite	MED	MOIST
Oeufs	MED	MOIST
Poisson, fruits de mer	MED	MOIST
Fruit	MED	MOIST
Sauce, sauce en crème	MED	MOIST
Jambon	MED	MOIST
Agneau	MED	MOIST
Crêpes, gaufres	MED	MOIST
Tartes, une abaisse	MED	MOIST
Porc	HIGH	MOIST
Pommes de terre, en purée	MED	MOIST
Volaille	HIGH	MOIST
Légumes	MED	MOIST

\*L'USDA/FSIS recommandent une température interne minimale de 63° C (145° F) pour que le bœuf soit cuit. Se servir d'un thermomètre à viande pour vérifier les températures internes.

## CONSEILS:

- Recouvrir les aliments d'un couvercle ou de papier aluminium.
- Ne pas mettre de l'eau dans le récipient du tiroir chauffe-plats.
- Ne pas utiliser de pellicule ou contenants en plastique.
- Préchauffer avant l'utilisation, selon les durées recommandées.

## AVERTISSEMENT

La sécurité alimentaire est une considération importante lors de l'utilisation d'un four de réchauffage. Le réglage bas ne devrait pas être utilisé pour maintenir des aliments au chaud pour plus de 2 à 3 heures.

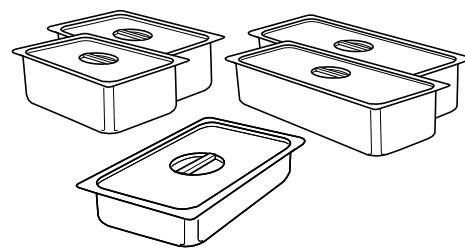
## ACCESSOIRES

### ENSEMBLE D'USTENSILES

Un ensemble d'ustensiles, DRAWERPANS, est disponible pour le tiroir chauffe-plats. Consulter le détaillant Jenn-Air ou composer le 1-800-JENNAIR.

DRAWERPANS comprend cinq ustensiles du commerce avec couvercles (10 cm [4 po] de profondeur).

- Un grand ustensile (14 litres)
- Deux ustensiles moyens (6 litres chaque)
- Deux petits ustensiles (3 litres chaque)



### ENSEMBLES DES PANNEAUX DE MONTAGE

Les ensembles des panneaux de montage après est disponible pour le tiroir chauffe-plats. Consulter le détaillant Jenn-Air ou composer le 1-800-JENNAIR.

- Verre incurvé noir – JWD7130CDB
- Verre incurvé blanc – JWD7130CDW
- Acier inoxydable à corbé – JWD7130CDS
- Acier inoxydable ProStyle – JWD7130CDP
- Panneau de montage personnalisé – JWD7130CDK

**IMPORTANT:** Ne pas faire marcher le tiroir chauffe-plats si le panneau de montage n'a pas été installé.

# ENTRETIEN ET NETTOYAGE

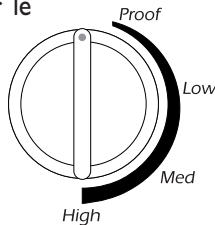


## ATTENTION

S'assurer que les commandes sont à l'ARRÊT et que toutes les surfaces ont refroidi avant de nettoyer une partie quelconque du tiroir chauffe-plats.

## BOUTONS DE COMMANDE

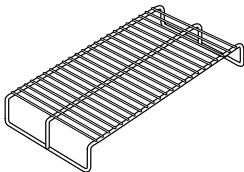
- Les boutons de commande peut être enlevé pour faciliter le nettoyage.



- Avant de retirer les boutons, s'assurer qu'il est à la position vertical.
- Laver les boutons à l'eau savonneuse mais sans le tremper.
- Sécher et remettre en place les boutons.

## GRILLE

- Nettoyer la grille avec de l'eau savonneuse.
- Après le nettoyage, rincer la grille à l'eau propre et la sécher avec un linge propre.



## ACIER INOXYDABLE

- Ne pas utiliser de tampon en laine d'acier qui raièrerait la surface.
- Nettoyer à l'eau savonneuse très chaude. Rincer et sécher.
- Si de la nourriture subsiste, essayer un nettoyant à usage général pour la cuisine, comme Fantastik®, Simple Green® ou Formula 409®\*.
- Pour la saleté difficile à enlever, utiliser un nettoyant standard pour acier inoxydable comme Bon-Ami® ou Cameo®\*. Les saletés peuvent aussi être

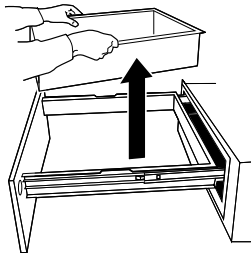
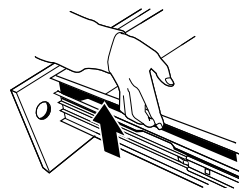
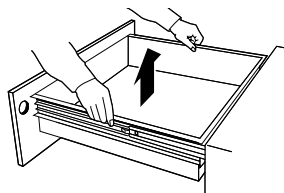
mises à tremper plusieurs heures à l'aide de serviettes humides. Appliquer le nettoyant à l'aide d'une éponge humide, bien rincer et sécher. Frotter toujours légèrement dans le sens du grain. Après le nettoyage, utiliser un poli pour acier inoxydable comme Stainless Steel Magic®\*\*.

## RÉCIPIENT DU TIROIR

### CHAUFFE-PLATS

La plupart des opérations de nettoyage peuvent être effectuées avec le récipient en place dans le tiroir chauffe-plats. Cependant, il est possible d'enlever ce récipient si d'autres opérations de nettoyage sont nécessaires.

- Ouvrir à fond le tiroir chauffe-plats.
- Saisir avec les doigts les retenues sur le côté du tiroir chauffe-plats, soulever le récipient pour le sortir.
- Se servir d'eau tiède savonneuse pour un nettoyage à fond. Rincer et sécher.



# AVANT DE CONTACTER UN RÉPARATEUR

## Le chauffe-plats ne fonctionne pas.

- Fusible grillé ou disjoncteur ouvert. Remplacer le fusible ou réarmer le disjoncteur.
- Chauffe-plats pas branché. Brancher l'appareil.
- Réglage incorrect des commandes. Consulter la section Utilisation du tiroir chauffe-plats, pages 11-13.

## Le tiroir ne coulisse pas en douceur (frottement, etc.).

- Paliers à billes mal alignés. Faire sortir complètement le tiroir, puis faire rentrer complètement le tiroir. Voir la section Entretien et Nettoyage.
- Tiroir excessivement chargé, ou charge mal équilibrée. Réduire la charge à moins de 23 kg (50 lb). Mieux répartir le contenu du tiroir.

## Condensation excessive.

- Présence d'un liquide dans le fond du tiroir. Enlever le liquide.
- Aliments non couverts. Recouvrir les aliments avec un couvercle ou de la feuille d'aluminium.
- Température sélectionnée trop élevée. Réduire la température de réglage.
- Réglage incorrect du sélecteur d'humidité. Sur le sélecteur d'humidité, sélectionner «Évent ouvert».

## Pas d'émission de chaleur le réglage PROOF.

- Le niveau de la température dans la pièce peut empêcher la manœuvre du thermostat. Placer le bouton à la position LOW, puis de nouveau à la position PROOF.

## Assèchement des aliments.

- Sortie d'humidité. Recouvrir les aliments avec un couvercle ou de la feuille d'aluminium.

\* Les noms de marque sont des marques déposées des fabricants respectifs.

\*\* Pour commander, composer le 1-800-JENNAIR.

# GARANTIE TIROIR CHAUFFE-PLATS JENN-AIR

## Garantie complète d'une année - Pièces et main-d'oeuvre

Durant une période d'un (1) an à compter de la date de l'achat initial au détail, toute pièce qui se révélerait défectueuse dans les conditions normales d'usage ménager sera réparée ou remplacée gratuitement.

## Garanties limitées - Pièces seulement

**Deuxième année** - Après la première année suivant la date de l'achat initial au détail, toute pièce qui se révélerait défectueuse dans des conditions normales d'usage ménager sera réparée ou remplacée gratuitement (pièce seulement); le propriétaire devra assumer tous les autres frais, y compris les frais de main-d'oeuvre, de déplacement et de transport.

## Résidents canadiens

Les garanties ci-dessus couvrent un appareil installé au Canada seulement s'il a été agréé par les agences de test habilitées (vérification de la conformité à une norme nationale du Canada), sauf si l'appareil a été introduit au Canada à l'occasion d'un changement de résidence des États-Unis vers le Canada.

## Garantie limitée hors des États-Unis et du Canada - Pièces seulement

Pendant deux (2) ans à compter de la date de l'achat initial au détail, toute pièce qui se révélerait défectueuse dans des conditions normales d'usage ménager sera réparée ou remplacée gratuitement (pièce seulement); le propriétaire devra assumer tous les autres frais, y compris les frais de main-d'oeuvre, de déplacement et de transport.

*Les garanties spécifiques formulées ci-dessus sont les SEULES que le fabricant accorde. Cette garantie vous confère des droits juridiques spécifiques. Vous pouvez également jouir d'autres droits, variables d'un état à un autre ou d'une province à une autre.*

## NE SONT PAS COUVERTS PAR CETTE GARANTIE:

1. Les dommages ou dérangements dus à:
  - a. Mise en service, livraison ou entretien effectués incorrectement.
  - b. Toute réparation, modification, altération et tout réglage non autorisés par le fabricant ou par un prestataire de service après-vente agréé.
  - c. Accidents, mauvaise utilisation ou usage abusif ou déraisonnable.
  - d. Alimentation électrique (tension, intensité) incorrecte.
  - e. Réglage incorrect d'une commande.
2. Les garanties ne peuvent être honorées si les numéros de série d'origine ont été enlevés, modifiés ou ne sont pas facilement lisibles.
3. Ampoules.
4. Appareils achetés aux fins d'usage commercial ou industriel.
5. Les frais de visite d'un prestataire de service ou de service après-vente encourus pour les raisons suivantes:
  - a. Correction d'erreurs de mise en service.
  - b. Initiation de l'utilisateur à l'emploi de l'appareil.
  - c. Transport de l'appareil aux locaux du prestataire de service.
6. Dommages secondaires ou indirects subis par toute personne suite au non-respect de la garantie. Certains états ne permettent pas l'exclusion ou la limitation des dommages secondaires ou indirects; par conséquent les limitations ou exclusions ci-dessus peuvent ne pas s'appliquer à votre cas.

## SI L'INTERVENTION D'UN RÉPARATEUR EST NÉCESSAIRE

- Contacter le revendeur chez qui l'appareil a été acheté, ou contacter Maytag Appliances Sales Company/service-client Jenn-Air au 1-800-JENNAIR (1-800-536-6247), pour obtenir les coordonnées d'une agence de service agréée.
- Veiller à conserver la facture d'achat pour justifier de la validité de la garantie. Pour d'autres informations en ce qui concerne les responsabilités du propriétaire à l'égard du service sous garantie, voir le texte de la GARANTIE.
- Si le revendeur ou l'agence de service après-vente ne peut résoudre le problème, écrire à Maytag Appliances Sales Company, attention CAIR® Center, P.O. Box 2370, Cleveland, TN 37320-2370 ou téléphoner au **1-800-JENNAIR (1-800-536-6247)**.

**REMARQUE:** Lors de tout contact concernant un problème, fournir l'information suivante:

- a. Nom, adresse et numéro de téléphone du client;
  - b. Numéro de modèle et numéro de série de l'appareil;
  - c. Nom et adresse du revendeur ou de l'agence de service;
  - d. Description claire du problème observé;
  - e. Preuve d'achat (facture de vente).
- Les guides d'utilisation, les manuels de service et les renseignements des pièces sont disponibles auprès de Maytag Appliances Sales Company, service-client Jenn-Air.

# GAVETA CALENTADORA ELÉCTRICA JENN-AIR

## GUÍA DEL USUARIO

### *T*ABLA DE MATERIAS

Instrucciones Importantes sobre Seguridad .....	17-18
Instrucciones de Funcionamiento .....	19-21
Cuidado y Limpieza .....	22
Antes de Solicitar Servicio .....	22
Garantía .....	23

# INSTRUCCIONES IMPORTANTES SOBRE SEGURIDAD

**Instalador:** Por favor deje esta guía junto con el electrodoméstico.

**Consumidor:** Por favor lea y conserve esta guía para referencia futura. Conserve el recibo de compra y/o el cheque cancelado como prueba de compra.

Número de Modelo

Número de Serie

Fecha de Compra

## Si tiene alguna pregunta, llame a:

Jenn-Air Customer Assistance  
1-800-JENNAIR  
(Lunes – Viernes, 8:00 a.m. – 8:00 p.m.  
Hora del Este)  
Internet: <http://www.jennair.com>

**Para información sobre servicio, ver página 23.**

En nuestro continuo afán de mejorar la calidad y rendimiento de nuestros electrodomésticos, puede que sea necesario modificar el electrodoméstico sin actualizar esta guía.

## INSTRUCCIONES DE SEGURIDAD

Las advertencias e instrucciones importantes sobre seguridad que aparecen en este manual no están destinadas a cubrir todas las posibles circunstancias y situaciones que puedan ocurrir. Se debe ejercer sentido común, precaución y cuidado cuando instale, realice mantenimiento o haga funcionar el artefacto.

Siempre póngase en contacto con su distribuidor, agente de servicio o fabricante si surgen problemas o situaciones que usted no comprenda.

### RECONOZCA LOS SIMBOLOS, ADVERTENCIAS, Y ETIQUETAS DE SEGURIDAD.



**ADVERTENCIA** - Peligro o prácticas no seguras que PODRIAN causar lesión personal grave o mortal.



**ATENCIÓN** - Peligros o prácticas no seguras que PODRIAN causar lesión personal menos grave.

### LEA Y SIGA TODAS LAS INSTRUCCIONES ANTES DE USAR ESTE ARTEFACTO.

Cuando use artefactos eléctricos, se deben seguir ciertas precauciones básicas, incluyendo las siguientes:

## PRECAUCIONES DE SEGURIDAD

Use este artefacto solamente para el propósito previsto según se describe en este Manual del Usuario.

Asegúrese de que su artefacto sea correctamente instalado y puesto a tierra por un técnico calificado, de acuerdo con las instrucciones de instalación provistas.

No use la gaveta calentadora si no se ha instalado el juego del panel delantero.

No trate de reparar ni reemplazar ninguna pieza de su gaveta calentadora a menos que se recomiende específicamente en este manual. Todas las reparaciones deben ser realizadas por un técnico calificado.

Pida al instalador que le indique donde se encuentra el disyuntor o el fusible. Márquelo para fácil referencia.

Antes de efectuar cualquier reparación, desconecte la energía eléctrica en el panel de distribución del hogar retirando el fusible o desactivando el disyuntor.

No deje a los niños sin supervisión - no se debe dejar a los niños solos o sin supervisión en un lugar donde se esté usando el artefacto. No se debe permitir que los niños se sienten o se paren en ninguna pieza del artefacto.

No permita que nadie se suba, se pare o se cuelgue de la gaveta. Pueden dañar la gaveta



- Para su seguridad siga la información contenida en este manual a fin de reducir a un mínimo el riesgo de incendio o explosión, choque eléctrico o para evitar daños materiales, lesiones personales o mortales.

- **SE REQUIERE UN SOPORTE ANTIVUELCO**

**Todas las gavetas calentadoras se pueden volcar y causar una lesión si no son correctamente instaladas.**

Para evitar volcamiento accidental de la gaveta calentadora, asegúrela en la pared con un soporte antivuelco, como se describe en las Instrucciones de Instalación.

calentadora o causar una lesión personal grave.

Asegúrese de que la gaveta calentadora sea instalada en forma segura en un armario que esté firmemente asegurado a la estructura de la casa.

Nunca deje la gaveta abierta cuando no esté cerca de la gaveta calentadora.

Siempre mantenga el revestimiento de la pared, las cortinas y otros materiales combustibles a una distancia prudente de la gaveta calentadora.

Siempre mantenga los utensilios de plástico y de madera y los alimentos enlatados a una distancia prudente de la gaveta calentadora.

Enseñe a los niños que no deben jugar con los controles o con cualquier otra pieza de la gaveta calentadora.

No coloque más de 34 kg (75 libras) de peso en la gaveta.

Para su seguridad, nunca use su artefacto para calentar la habitación.



## **ADVERTENCIA**

Cuando se usa una gaveta calentadora la seguridad de los alimentos es una consideración primordial. No se debe usar el ajuste 'low' (bajo) si se están calentando los alimentos durante más de 2-3 horas.

El propósito de la gaveta calentadora es mantener los alimentos cocinados calientes a la temperatura de servir.

Siempre debe colocar alimentos calientes; los alimentos fríos no pueden ser calentados ni cocinados en la gaveta calentadora.



## **PRECAUCIÓN**

No se deben guardar artículos de interés para los niños en los armarios que están situados sobre la gaveta calentadora; los niños que se suban a la gaveta para alcanzar estos artículos pueden sufrir una lesión grave.

Use solamente tomaollas secas. Los tomaollas húmedos o mojados al ser dejados sobre superficies calientes pueden producir quemaduras a causa del vapor. No deje que los tomaollas toquen los elementos calientes. No use una toalla o un paño demasiado voluminoso.

No permita que se acumule grasa o materiales inflamables en la gaveta calentadora o cerca de ella.

No use agua en los incendios de grasa. Nunca levante una sartén en llamas. Apague las perillas de control.

Las llamas en la gaveta calentadora se pueden apagar cerrando la gaveta o usando un extinguidor de incendios para propósitos múltiples con químicos secos o del tipo con espuma.

No toque el elemento calefactor o la superficie interior de la gaveta calentadora. Estas superficies pueden estar lo suficientemente calientes como para causar quemaduras.

**RECUERDE:** La superficie interior de la gaveta calentadora puede estar caliente cuando se abre la gaveta.

No guarde ni use materiales combustibles, gasolina u otros vapores inflamables en la vecindad de este o cualquier otro artefacto.

Nunca deje frascos ni latas con restos de grasa en la gaveta calentadora ni cerca de ella.

Tenga cuidado al abrir la gaveta. Abra un poco la gaveta y deje salir el aire o vapor caliente antes de retirar o colocar alimentos. El aire o vapor caliente que sale de la gaveta puede causar quemaduras en las manos, en la cara y/o en los ojos.

No caliente envases de alimentos cerrados. Se puede acumular presión en el envase haciéndolo explotar, causando una lesión.

No obstruya los respiraderos.

No use la gaveta calentadora para secar periódicos. Si se calientan demasiado se pueden prender fuego.

No use la gaveta calentadora para calentar toallas.

No use la gaveta calentadora como un lugar de almacenamiento. Los artículos que se guardan en la gaveta pueden prenderse fuego.

No guarde productos de papel, utensilios de cocina ni alimentos en la gaveta calentadora cuando no esté en uso.

Limpie solamente las piezas indicadas en la sección "Cuidado y Limpieza de la Gaveta Calentadora".

No use papel de aluminio para forrar la gaveta. El papel de aluminio es un excelente aislador del calor y atraparé el calor debajo del papel. Esto afectará el rendimiento de la gaveta y puede dañar el acabado interior.

**LEA Y SIGA CUIDADOSAMENTE ESTA  
INFORMACIÓN SOBRE SEGURIDAD.**

**CONSERVE ESTAS INSTRUCCIONES  
PARA REFERENCIA FUTURA**

# INSTRUCCIONES DE FUNCIONAMIENTO

## USO DE LA GAVETA CALENTADORA

La gaveta calentadora mantendrá los alimentos cocinados calientes a la temperatura de servir.

No use la gaveta para calentar alimentos que estén fríos a excepción de esponjamiento de masa con levadura, tostar galletas o cereales secos.

## PERILLAS DE CONTROL

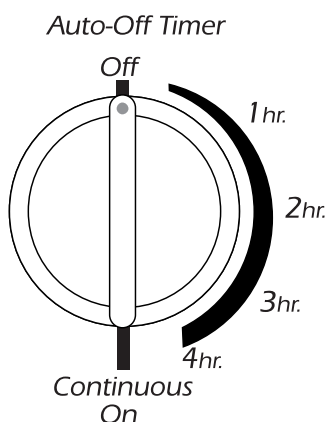
Los controles de la gaveta calentadora quedan ocultos cuando la gaveta está cerrada. Abra la gaveta.

Los controles están en el costado derecho del marco delantero.

## 'AUTO-OFF TIMER' (TEMPORIZADOR AUTOM./ APAGADO)

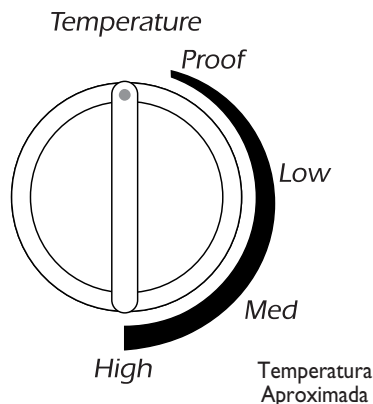
Para usar la gaveta calentadora, gire el 'AUTO-OFF TIMER' (Temporizador Autom./Apagado) hacia el tiempo o posición 'CONTINUOUS ON' (Marcha Continua). Si se ha seleccionado un período de tiempo, la gaveta calentadora se apagará después de que haya transcurrido el intervalo de tiempo indicado.

La posición 'CONTINUOUS ON' (Marcha Continua) mantiene encendida la gaveta calentadora hasta que el temporizador sea girado a la posición 'OFF' (Apagado).



## 'TEMPERATURE' (TEMPERATURA)

Gire la perilla de control al ajuste deseado.



	Temperatura Aproximada
PROOF (Esponjamiento).....	37° C (98° F)
'LOW' (Baja).....	60° C (140° F)
'MED' (Mediana).....	77° C (170° F)
'HIGH' (Alta).....	99° C (210° F)

**NOTA:** Use el ajuste de temperatura 'PROOF' SOLAMENTE para esponjamiento de masa con levadura.

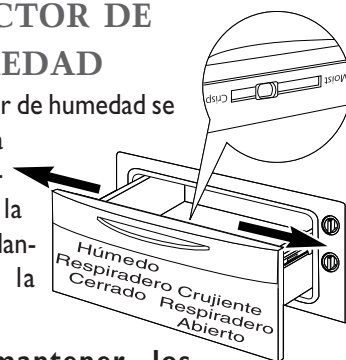
Deslice el control selector de humedad hacia la posición 'open' (abierto) o 'closed' (cerrado) (Vea la sección 'Selector de Humedad').

## LUZ INDICADORA 'ON' (ENCENDIDO)

La luz indicadora 'ON' se encuentra arriba del temporizador y se ilumina cuando el temporizador está ajustado para un tiempo determinado o está en la posición 'CONTINUOUS ON' (Marcha Continua). Se mantiene iluminada hasta que haya transcurrido el intervalo de tiempo seleccionado o hasta que el temporizador sea girado manualmente a la posición 'off' (apagado).

## SELECTOR DE HUMEDAD

El selector de humedad se encuentra en el interior en la parte delantera de la gaveta.



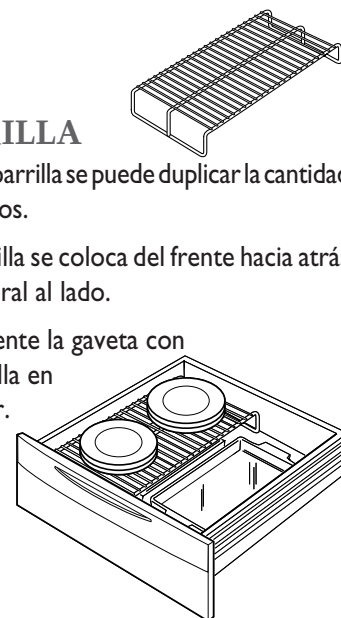
**Para mantener los alimentos húmedos,** coloque el control del selector de humedad lejos de las perillas de control. Esto cierra el respiradero y mantiene la humedad dentro de la gaveta. Teniendo el respiradero cerrado los alimentos calientes se mantienen húmedos y blandos. En este ajuste, se puede producir condensación alrededor del borde interior de la gaveta.

**Para mantener los alimentos crujientes,** deslice el control selector de humedad hacia la derecha, cerca de las perillas de control. Esto abre los respiraderos y permite que la humedad escape. Con los respiraderos abiertos, es normal que se acumule humedad en las superficies que están arriba de la gaveta calentadora.

## PARRILLA

Al usar la parrilla se puede duplicar la cantidad de artículos.

- La parrilla se coloca del frente hacia atrás o a lateral al lado.
- Precaliente la gaveta con la parrilla en su lugar.



## **PRECAUCIÓN**

- Los platos pueden estar calientes. Use tomaollas o guantes cuando retire los platos calientes.
- Los envases de plástico o las envolturas de plástico se derretirán si están en contacto directo con la gaveta.
- Retire las cucharas de servir, etc., antes de colocar los contenedores en la gaveta calentadora.

## **NOTAS:**

### **CUANDO USE LA GAVETA CALENTADORA:**

- **NO forre la gaveta calentadora con papel de aluminio.**
- La gaveta se debe precalentar antes de usar en :
  - LOW' (Baja) ..... 8 minutos
  - MED' (Mediana) ..... 15 minutos
  - HIGH' (Alta) ..... 20 minutos
- No es necesario precalentar la gaveta para esponjamiento de masa.
- Si la gaveta se abre repetidamente el aire caliente se escapa y el alimento se enfría. Espere un tiempo adicional para que la temperatura se establezca en el interior de la gaveta antes de agregar otros artículos.
- Los alimentos deben mantenerse calientes en el utensilio en que fueron cocinados o transferirse a un plato de servir resistente al calor.
- Se puede usar papel de aluminio para cubrir los alimentos y evitar que se sequen.

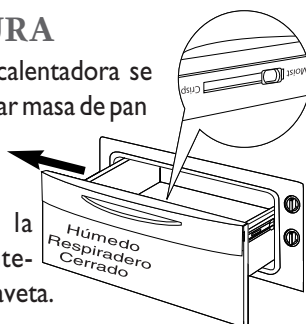
## **PARA CALENTAR PLATOS Y FUENTES DE SERVIR**

- Para calentar platos y fuentes de servir coloque el control en 'LOW'.
- Use solamente platos resistentes al calor.
- Coloque los platos vacíos en la parrilla para que no toquen la parte inferior de la gaveta. Si desea platos más calientes o si desea calentar loza fina, por favor consulte con el fabricante de los platos para verificar la máxima tolerancia al calor de los artículos.
- Precaliente los platos de servir vacíos cuando esté precalentando la gaveta.
- Cuando esté calentando al mismo tiempo alimentos cocinados calientes y platos de servir vacíos, coloque los platos de servir en la posición alta de la parrilla y el alimento en la parte inferior de la gaveta.

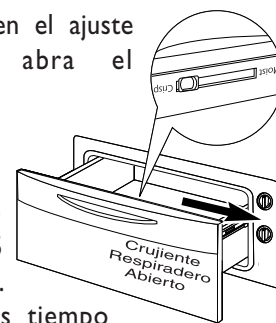
## **ESPONJAMIENTO DE MASA DE PAN CON LEVADURA**

En la gaveta calentadora se puede esponjar masa de pan con levadura.

- Coloque el plato en la bandeja interior de la gaveta.
- **Siempre gire la perilla de control a la posición 'LOW', luego cámbiela inmediatamente de vuelta a la posición 'PROOF'.**
- Cierre el respiradero.
- No se requiere precalentamiento para esponjar masa de pan.



- Precaliente en el ajuste 'LOW' y abra el respiradero.
- Verifique si el alimento está crujiente después de 45 minutos. Agregue más tiempo según sea necesario.



## **SELECCIÓN DE LA TEMPERATURA PARA ALIMENTOS CRUJIENTES**

Para mantener calientes diferentes tipos de alimentos, ajuste la temperatura para el alimento que necesite el ajuste más alto.

Coloque los alimentos que necesiten el ajuste más alto en la parte inferior de la gaveta y los que necesiten menos calor en la parrilla.

## **TABLA DE SELECCIÓN DE LA TEMPERATURA PARA ALIMENTOS CRUJIENTES**

Tipo de Alimento	Ajuste del Control	Selector de Humedad
Tocino	HIGH	CRISP
Pan, panecillos duros	MED	CRISP
Alimentos fritos	HIGH	CRISP
Pays, dos cortezas	MED	CRISP
Pizza	HIGH	CRISP
Papas al horno	HIGH	CRISP
Tortilla Chips	LOW	CRISP

## **SUGERENCIAS:**

- No cubra los alimentos.
- No use envases de plástico o envoltura de plástico.
- Precaliente antes de usar de acuerdo con los tiempos recomendados.

## **PARA HACER CRUJIENTES LOS ALIMENTOS AÑEJOS**

- Coloque el alimento en platos o utensilios de lados bajos.

# INSTRUCCIONES DE FUNCIONAMIENTO, CONT.

## SELECCIÓN DE LA TEMPERATURA PARA ALIMENTOS HÚMEDOS

Para mantener calientes diferentes tipos de alimentos, ajuste la temperatura para el alimento que necesite el ajuste más alto.

Coloque los alimentos que necesiten el ajuste más alto en la parte inferior de la gaveta y los que necesiten menos calor en la parrilla.

## TABLA DE SELECCIÓN DE LA TEMPERATURA PARA ALIMENTOS HÚMEDOS

Tipo de Alimento	Ajuste del Control	Selector de Humedad
Carne de res, a medio asar y bien asada*	HIGH	MOIST
Pan, panecillos blandos	MED	MOIST
Cacerolas	MED	MOIST
Cereal cocido	MED	MOIST
Huevos	MED	MOIST
Pescado, mariscos	MED	MOIST
Fruta	MED	MOIST
Salsas, cremas	MED	MOIST
Jamón	MED	MOIST
Ternera	MED	MOIST
Panqueques, waffles	MED	MOIST
Pays, una corteza	MED	MOIST
Cerdo	HIGH	MOIST
Puré de papas	MED	MOIST
Carne de ave	HIGH	MOIST
Verduras	MED	MOIST

\*La USDA/FSIS recomienda una temperatura interna de 63°C (145°F) como el término de cocción mínimo para la carne de res. Use un termómetro de carne portátil para verificar las temperaturas internas.

## SUGERENCIAS:

- Cubra el alimento con una tapa o con papel de aluminio.
- No coloque agua en el recipiente de la gaveta calentadora.
- No use envases de plástico o envoltura de plástico.
- Precaliente antes de usar de acuerdo con los tiempos recomendados.



## ADVERTENCIA

Quando se usa una gaveta calentadora la seguridad de los alimentos es una consideración primordial. No se debe usar el ajuste 'low' (bajo) si se están calentando los alimentos durante más de 2-3 horas.

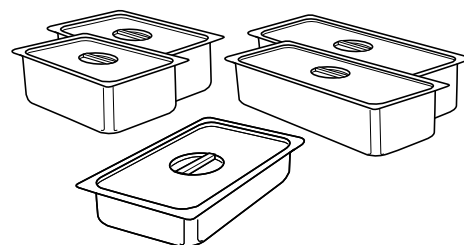
## ACCESORIOS

### JUEGO DE RECIPIENTS

Se dispone de un juego de recipientes, 'DRAWERPANS', para la gaveta calentadora. Consulte con su distribuidor Jenn-Air o llame al 1-800-JENNAIR.

El juego 'DRAWERPANS' incluye cinco recipientes de tipo comercial con tapas de 10 cm (4") de profundidad.

- Un recipiente grande 14 cuartos (13,2 litros) de galón.
- Dos recipientes medianos 6 cuartos (5,7 litros) de galón cada uno.
- Dos recipientes pequeños 3 cuartos (2,8 litros) de galón cada uno.



### JUEGOS DE LOS PANELS DELANTEROS

Los juegos de los panels delanteros siguientes están disponibles para la gaveta calentadora. Consulte con su distribuidor Jenn-Air o llame al 1-800-JENNAIR.

- Vidrio curvado negro – JWD7130CDB
- Vidrio curvado blanco – JWD7130CDW
- Acero inoxidable curvado – JWD7130CDS
- Acero inoxidable 'ProStyle' – JWD7130CDP
- Juego del Panel Delantero Personalizado – JWD7130CDK

**IMPORTANTE:** No use la gaveta calentadora si el juego del panel delantero no ha estado instalado.

# CUIDADO Y LIMPIEZA

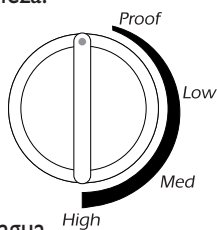


## PRECAUCIÓN

- Asegúrese de que los controles estén en la posición 'OFF' (Apagado) y que todas las superficies estén frías antes de manipular o limpiar la gaveta. Esto evitará que se produzca daño y posibles quemaduras.

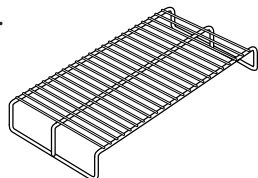
## PERILLAS DE CONTROL

- Las perillas de control puede ser retirada para facilitar la limpieza.
- Antes de retirar las perillas para limpiarla, asegúrese de que esté en la posición vertical.
- Lave las perillas en agua y jabón pero no la remoje.
- Seque y reinstale las perillas.



## PARRILLA

- Limpie la parrilla con agua y jabón.
- Después de la limpieza, enjuague la parrilla con agua limpia y seque con un paño limpio.



## ACERO INOXIDABLE

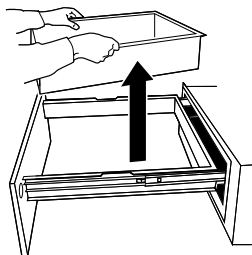
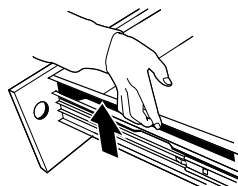
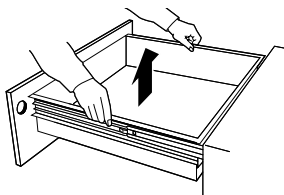
- No use una esponja de lana de acero; rayará la superficie.
- Limpie con agua caliente con jabón. Enjuague y seque.
- Si quedan manchas de alimentos, use un limpiador de cocina para todo uso, tal como Fantastik®, Simple Green® o Formula 409®\*.
- Para suciedad difícil de quitar, use un limpiador de acero inoxidable estándar tal como Bon-Ami® o Cameo®\*. Las manchas se pueden remojar durante

varias horas con toallas húmedas. Aplique el limpiador con una esponja húmeda, enjuague bien y seque. Siempre restriegue levemente en la dirección del grano. Después de la limpieza, use un pulidor de acero inoxidable tal como Stainless Steel Magic®\*\*.

## BANDEJA INTERIOR DE LA GAVETA CALENTADORA

La mayor parte de la limpieza de la fuente puede hacerse con la bandeja instalada. Sin embargo, el recipiente puede retirarse si se necesita limpieza adicional.

- Abra completamente la gaveta.
- Sujete con los dedos los lados de la bandeja, levántela y sáquela hacia afuera.
- Use jabón y agua caliente para limpiar bien la bandeja interior. Enjuague y seque.



# ANTES DE LLAMAR SERVICIO

## La gaveta calentadora no funciona.

- Se puede haber quemado un fusible del hogar o se disparó el disyuntor. Reemplace el fusible o reponga el disyuntor.
- La gaveta calentadora no está enchufada. Enchúfela.
- Los controles están ajustados en forma incorrecta. Consulte la sección Instrucciones Sobre Operación, páginas 19-21.

## La gaveta no se desliza ni se arrastra suavemente.

- Los cojinetes de bolas están desalineados. Abra completamente la gaveta y empújela hasta el fondo. Vea la sección Cuidado y Limpieza.
- La gaveta está sobrecargada o la carga no está equilibrada. Reduzca el peso a menos de 23 kg (50 libras). Redistribuya el contenido de la gaveta.

## Exceso de condensación.

- Hay líquido en la bandeja interior de la gaveta. Retire el líquido.
- Los alimentos están destapados. Cubra los alimentos con una tapa o papel de aluminio.
- El ajuste de la temperatura es muy alto. Reduzca el ajuste de la temperatura.
- Ajuste incorrecto del selector de humedad. Coloque el selector de humedad en el ajuste 'open vent' (respiradero abierto) para que haya ventilación.

## No hay calor en el ajuste 'PROOF'.

- La temperatura ambiente puede evitar que el termostato se active. Gire la perilla a 'LOW' y luego de vuelta a 'PROOF'.

## El alimento se seca.

- Escape de humedad. Cubra el alimento con una tapa o con papel de aluminio.

\*Los nombres de los productos son marcas registradas de los respectivos fabricantes.

\*\* Para pedidos directos, llame al 1-800-JENNAIR.

# GARANTÍA A GAVETA CALENTADORA ELÉCTRICA DE JENN-AIR

## Garantía Completa de Un Año - Piezas y Mano de Obra

Durante **un (1) año** desde la fecha original de compra al por menor, se reparará o reemplazará gratuitamente cualquier pieza que falle durante uso normal en el hogar.

## Garantías Limitadas - Piezas Solamente

**Segundo Año** - Después del primer año de la fecha original de compra, se reemplazará o reparará gratuitamente las piezas que fallen durante uso normal en el hogar en lo que respecta a las piezas mismas y el propietario deberá pagar todos los otros costos incluyendo mano de obra, kilometraje y transporte.

## Residentes Canadienses

Las garantías anteriores cubren solamente un artefacto instalado en Canadá que ha sido certificado o aprobado por las agencias de pruebas correspondientes para cumplimiento con la Norma Nacional de Canadá a menos que el artefacto haya sido traído a Canadá desde los Estados Unidos debido a un cambio de residencia.

## Garantía Limitada Fuera de los Estados Unidos y Canadá - Piezas Solamente

Durante **dos (2) años** de la fecha de compra original al por menor, cualquier pieza que falle durante uso normal en el hogar será reemplazada o reparada gratuitamente en lo que respecta a la pieza y el propietario deberá pagar todos los otros costos incluyendo mano de obra, kilometraje y transporte.

*Las garantías específicas expresadas anteriormente son las **UNICAS** garantías provistas por el fabricante. Estas garantías le otorgan derechos legales específicos y usted puede tener además otros derechos que varían de un estado a otro.*

## LO QUE NO CUBREN ESTAS GARANTÍAS:

1. Situaciones y daños resultantes de cualquiera de las siguientes eventualidades:
  - a. Instalación, entrega o mantenimiento inapropiados.
  - b. Cualquier reparación, modificación, alteración o ajuste no autorizado por el fabricante o por un centro de servicio autorizado.
  - c. Mal uso, abuso, accidentes o uso irrazonable.
  - d. Corriente eléctrica, voltaje o suministro incorrecto.
  - e. Programación incorrecta de cualquiera de los controles.
2. Las garantías quedan nulas si los números de serie originales han sido retirados, alterados o no son fácilmente legibles.
3. Focos.
4. Productos comprados para uso comercial o industrial.
5. El costo del servicio o llamada de servicio para:
  - a. Corregir errores de instalación.
  - b. Instruir al usuario sobre el uso correcto del artefacto.
  - c. Transporte del artefacto al establecimiento de servicio.
6. Los daños consecuentes o incidentales sufridos por cualquier persona como resultado del incumplimiento de esta garantía. En algunos estados no se permite la exclusión o limitación de daños consecuentes o incidentales, por lo tanto la limitación o exclusión anterior puede no aplicarse en su caso.

## SI NECESITA SERVICIO

- Llame al distribuidor donde compró su electrodoméstico o llame a Maytag Appliances Sales Company, Jenn-Air Customer Assistance al 1-800-JENNAIR (1-800-536-6247) para ubicar a un técnico autorizado.
- Asegúrese de conservar el comprobante de compra para verificar el estado de la garantía. Consulte la sección sobre la GARANTIA para mayor información sobre las responsabilidades del propietario para servicio bajo la garantía.
- Si el distribuidor o la compañía de servicio no pueden resolver el problema, escriba a Maytag Appliances Sales Company, Attn: CAIR®, Center, P.O. Box 2370, Cleveland, TN 37320-2370 o llame al **1-800-JENNAIR (1-800-536-6247)**.

**NOTA:** Cuando llame o escriba acerca de un problema de servicio, por favor incluya la siguiente información.

  - a. Su nombre, dirección y número de teléfono;
  - b. Número de modelo y número de serie;
  - c. Nombre y dirección de su distribuidor o técnico de servicio;
  - d. Una descripción clara del problema que está experimentando;
  - e. Comprobante de compra (recibo de compra).
- Las guías del usuario, manuales de servicio e información sobre las piezas pueden solicitarse a Maytag Appliances Sales Company, Jenn-Air Customer Assistance.